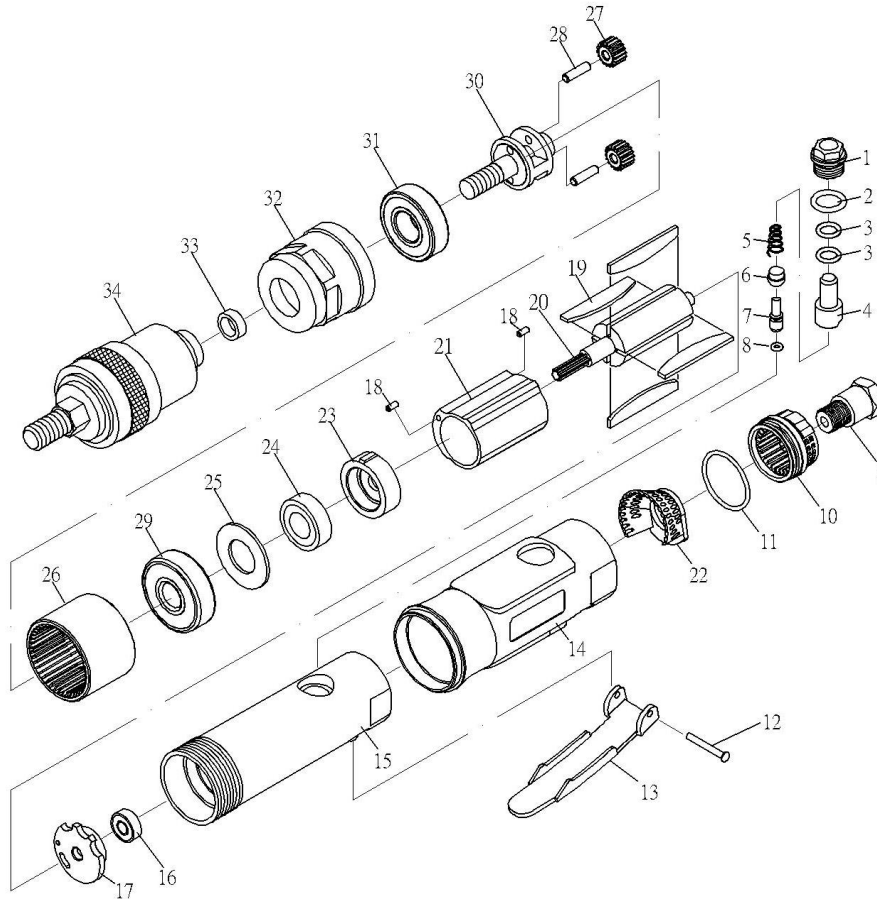


ZP3843 Air Tire Buffer



ZP3843 Air Tire Buffer

TECHNICAL DATA

Grinding Wheel	in.	Spindle Thread	3/8"-24
Net Weight	lbs(kgs)		1.8(0.8)
Length	in. (mm)		8.8(225)
RPM	RPM		3600
Air Inlet Size	inch-NPT/PT		1/4
Min. Hose Size	inch(mm)		3/8(10)
Avg. Air Consumption	cfm		3.5

PARTS LIST

Index	Part #	Description	Index	Part #	Description
1	ZP3843-1	SCREW	18	ZP3843-18	PIN(2)
2	ZP3843-2	O-RING(P12)	19	ZP3843-19	ROTOR BLADE(4)
3	ZP3843-3	O-RING(P8)(2)	20	ZP3843-20	ROTOR (9T)
4	ZP3843-4	AIR REGULATOR	21	ZP3843-21	CYLINDER
5	ZP3843-5	SPRING	22	ZP3843-22	CONE MUFFLER
6	ZP3843-6	VALVE STEM BUSHING	23	ZP3843-23	FRONT PLATE
7	ZP3843-7	VALVE STEM	24	ZP3843-24	BEARING(608ZZ)
8	ZP3843-8	O-RING(3.5*1.4)	25	ZP3843-25	WASHER
9	ZP3843-9	AIR INLET	26	ZP3843-26	THREAD RING GEAR(41T)
10	ZP3843-10	EXHAUST SLEEVE	27	ZP3843-27	IDLER GEAR (16T)(2)
11	ZP3843-11	O-RING(26.7*1.78)	28	ZP3843-28	IDLER GEAR PIN(2)
12	ZP3843-12	SPRING PIN	29	ZP3843-29	BEARING (6001Z)
13	ZP3843-13	LEVER	30	ZP3843-30	GEAR PLATE
14	ZP3843-14	PROTECTING RUBBER	31	ZP3843-31	BEARING (6200ZZ)
15	ZP3843-15	HOUSING	32	ZP3843-32	CLAMP NUT
16	ZP3843-16	BEARING(696ZZ)	33	ZP3843-33	WASHER
17	ZP3843-17	REAR PLATE	34	ZP3843-34	SHAFT SLEEVE