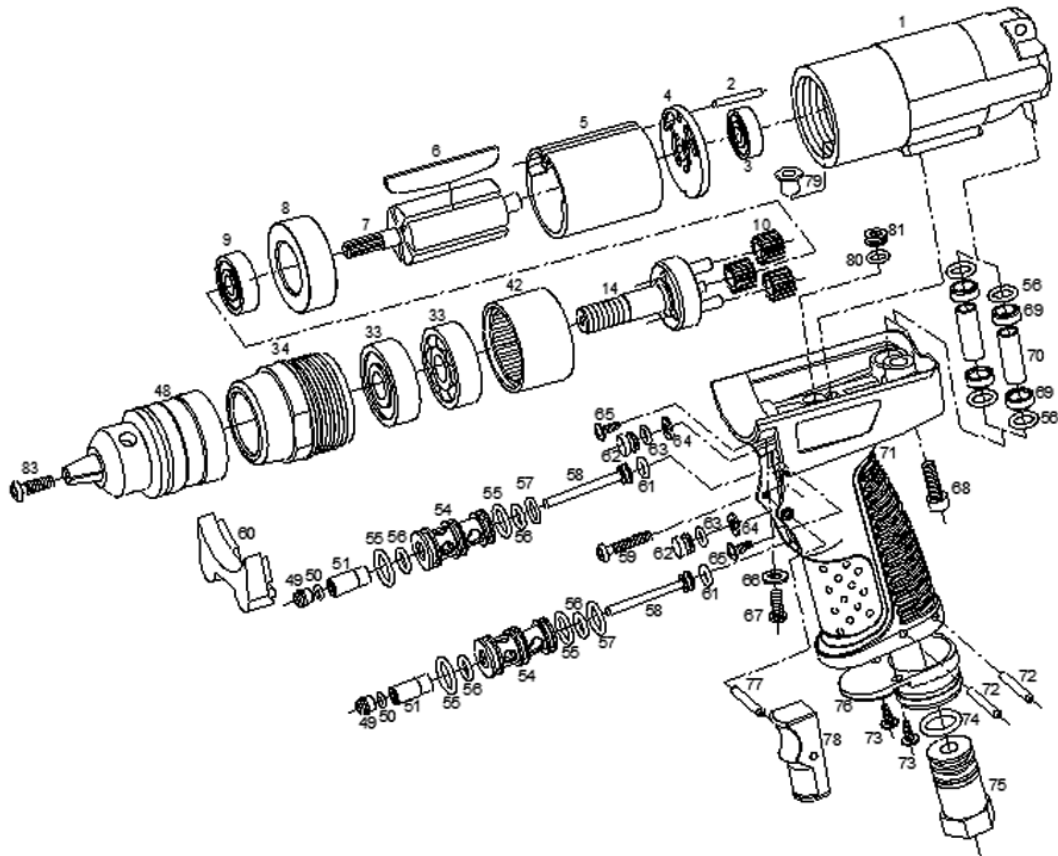


ZRD3600C 3/8" Air Reversible Drill Composite Housing



ZRD3600C 3/8" Air Reversible Drill Composite Housing

TECHNICAL DATA

Capacity : 3/8(10) inch(mm)
 Spindle Size : 3/8"-24 inch
 Free Speed : 2000 R.P.M.
 Avg. Air Cons : 5(141) cfm(l/min)

Net Weight : 2.2(1) lbs(kgs)
 Overall Length : 175 mm
 Air Inlet Size : 1/4 inch-NPT/PT
 Min. Hose Size : 3/8(10) inch(mm)

PARTS LIST

Index	Part #	Description	Q'ty	Index	Part #	Description	Q'ty
1	ZRD3600C-01	Motor Housing	1	62	ZRD3600C-62	Plug	2
2	ZRD3600C-02	Pin	1	63	ZRD3600C-63	O-Ring(Ø5X1.5)	2
3	ZRD3600C-03	Ball Bearing	1	64	ZRD3600C-64	Washer(Ø8X6.5x1.6)	2
4	ZRD3600C-04	Rear Plate	1	65	ZRD3600C-65	Screw	2
5	ZRD3600C-05	Cylinder	1	66	ZRD3600C-66	Washer	1
6	ZRD3600C-06	Rotor Blade	6	67	ZRD3600C-67	Screw	1
7	ZRD3600C-07	Rotor	1	68	ZRD3600C-68	Screw	1
8	ZRD3600C-08	Front Plate	1	69	ZRD3600C-69	Bushing	4
9	ZRD3600C-09	Ball Bearing	1	70	ZRD3600C-70	Tube	2
10	ZRD3600C-10	Planet Gear(18T)	3	71	ZRD3600C-71	Handle	1
14	ZRD3600C-14	Planet Cage	1	72	ZRD3600C-72	Roll Pin	2
33	ZRD3600C-33	Ball Bearing	2	73	ZRD3600C-73	Screw	2
34	ZRD3600C-34	Clamp Nut	1	74	ZRD3600C-74	O-ring(P12X2.4)	1
42	ZRD3600C-42	Internal Gear	1	75	ZRD3600C-75	Air Inlet Bushing	1
49	ZRD3600C-49	Sleeve Bushing	2	76	ZRD3600C-76	Diffuser Exhaust	1
50	ZRD3600C-50	O-Ring(Ø3.2X1.3)	2	77	ZRD3600C-77	Pin	1
51	ZRD3600C-51	Sleeve	2	78	ZRD3600C-78	Trigger	1
54	ZRD3600C-54	Throttle Bushing	2	79	ZRD3600C-79	Nut	1
55	ZRD3600C-55	O-Ring(Ø11.5X2)	4	80	ZRD3600C-80	O-Ring(Ø6X1.5)	2
56	ZRD3600C-56	O-Ring(Ø7X1.8)	8	81	ZRD3600C-81	Plug	2
57	ZRD3600C-57	O-Ring(Ø10X1.9)	2	83	ZRD3600C-83	Chuck Screw	1
58	ZRD3600C-58	Valve stem	2				
59	ZRD3600C-59	Screw	1			**Optional Accessories**	
60	ZRD3600C-60	Rubber Cap	1	48	ZRD3600C-48	3/8" Drill Chuck w/key	1
61	ZRD3600C-61	R5X19(Ø5X1.9)	2			3/8" Drill Chuck w/key	1